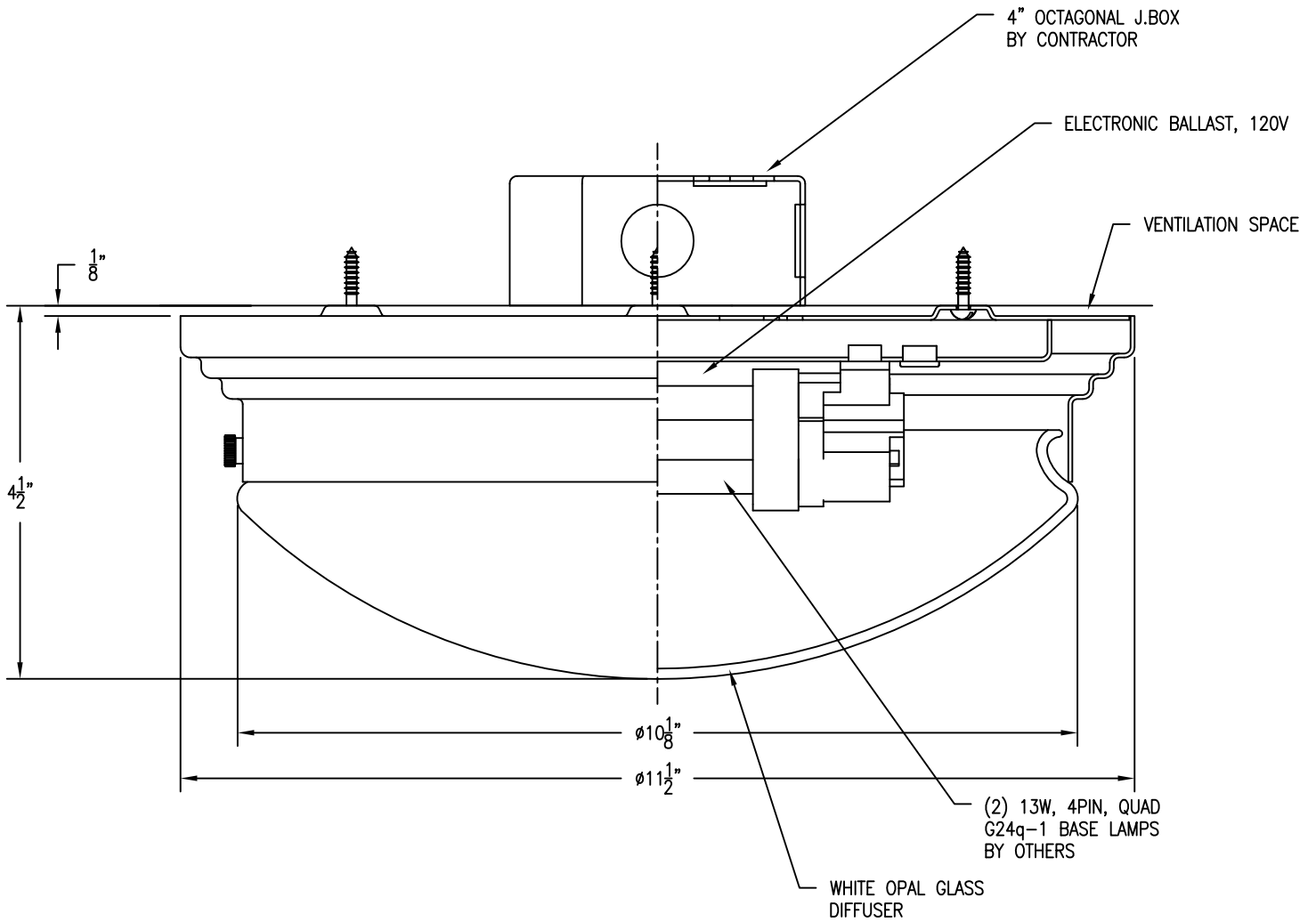


3WAY THUMB SCREWS



FINISH: POLISHED CHROME
LAMP: (2) 13W, 4PIN QUAD, G24q-1 BASE LAMPS
VOLTAGE: 120V
APPROX WEIGHT: 15 LBS

GFC LIGHTING CUSTOM TYPICAL APARTMENT
CEILING DRY LOCATION CF102