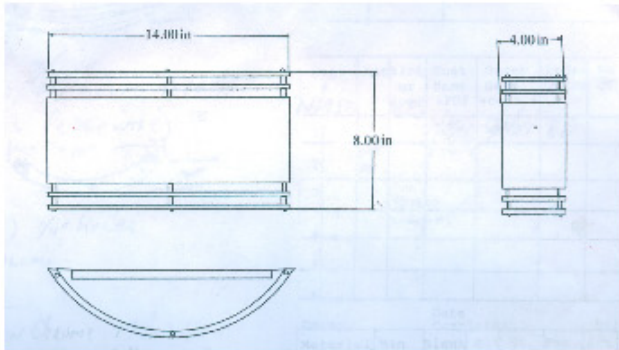


CATALOG NUMBERS

5034

SCONCES

CAT #	DIMENSIONS			LAMPING
	W	H	D	
	14"	8"	4"	two PL 13



ORDERING INFORMATION

cat #--- finish-- - lamping--- voltage----options -----

TECHNICAL INFORMATION

BALLAST:	MOUNTING	FINISHES	OPTIONS
Magnetic	Mounts to all	All painted finishes	Cover top/bottom
N.P.F.	standard electrical	PCR SB PAL	Electronic ballast 13W or
120 v	boxes. Hardware	SCR AB SSS	26Watt
	supplied	PB SAL SSP	Emergency back up

FEATURES

Quarter inch thick solid aluminum bars are layered above and below fixture this gives it a layered look...Powder coated white backplate for maximum reflectivity.

UL LABELED FOR damp location-----made in USA