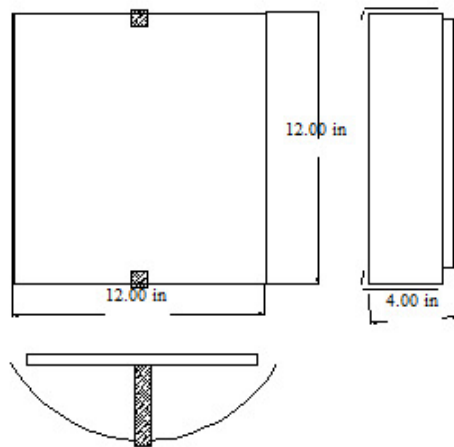


CATALOG NUMBERS

8818

# SCONCES

CAT #	DIMENSIONS			LAMPING
	W	H	D	
8818	12"	12"	4"	For two 13 W CFL



## ORDERING INFORMATION

cat #--- finish-- - lamping--- voltage---options -----

## TECHNICAL SPECIFICATIONS

BALLAST	MOUNTING	FINISHES (clips)	OPTIONS
Magnetic 120V	Mounts to all standard electrical junction boxes. Hardware included	All painted finishes	Faux alabaster
Normal power factor		PCR SB PAL	
		SCR AB SSS	Emergency back up
		PB SAL SSP	

## FEATURES

Diffuser is 1/8" thick translucent white acrylic, heat formed to arc shape. Decorative holder clips are of heavy gauge metal and can be ordered in many finishes. Back plate is highly reflective gloss white on aluminum.

UL LABELED FOR damp location-----made in USA